

VALVES FOR FLAT SURFACES -TS SERIES - Ø 2" - 2½" - 3" - 4"



FEATURES

Fluids	Non-lubricated filtered air
Operating temperature	Neoprene diaphragm -20°C +80°C
	Viton diaphragm -20°C +200°C
	Low T. diaphragm -40°C; +80°C
Operating pressure	between 0.5 and 7.5 bar
Body and cover	Die-cast aluminium
Pilot core	Stainless steel
Screws and bolts	Stainless steel
Coil insulation	Class H
Connector	PG 9 EN175301-803
Connector + coil protection	IP65 EN60529
Standard voltage	24V/50-60Hz (±10%) 19VA
	115V/50-60Hz (±10%) 19VA
	230V/50-60Hz (±10%) 19VA
	24VDC (± 10%) 18 Watt

DESCRIPTION	TS050(N-V-T)P / TS050(N-V-T)M
1 Coil - Connector	BH10 V## / V##
2 Screws - Washers	TKITVTE06X20X4
3 Pilot unit	1331080
4 Pilot cover	1251750
5 Remote cover	1251770
6a Diaphragm spring	3241002
6 Secondary diaphragm (N-V-T)	TKISM025N Neoprene
	TKISM025V Viton
	TKISM025T Low temperature
7 Screws - Washers	TKITVTE10X25X6
8 Cover	1251650
9 Diaphragm spring	3241024
10 Primary Diaphragm (N-V-T)	TKISM050N Neoprene
	TKISM050V Viton
	TKISM050T Low temperature
11 Valve body	1251460
12 O-R gasket	3301203

TSP version with built-in pilot / TSM version with remote pilot
V## / V## = 24 Vdc - 24 Vac - 115 Vac - 230 Vac

DESCRIPTION	TS075(N-V-T)PIN / TS075(N-V-T)MIN
1 Coil - Connector	BH10 V## / V##
2 Screws - Washers	TKITVTE06X20X4
3 Pilot unit	1331080
4 Pilot cover	1251750
5 Remote cover	1251770
6a Diaphragm spring	3241002
6 Secondary diaphragm (N-V-T)	TKISM025N Neoprene
	TKISM025V Viton
	TKISM025T Low temperature
7 Screws - Washers	TKITVTE10X25X6
8 Cover	1251650
9 Diaphragm spring	3241024
10 Primary Diaphragm (N-V-T)	TKISM075N Neoprene
	TKISM075V Viton
	TKISM075T Low temperature
11 Valve body	1251540
12 O-R gasket	3301209

TSP version with built-in pilot / TSM version with remote pilot

DESCRIPTION	TS050(N-V-T)PIN / TS050(N-V-T)MIN
1 Coil - Connector	BH10 V## / V##
2 Screws - Washers	TKITVTE06X20X4
3 Pilot unit	1331080
4 Pilot cover	1251750
5 Remote cover	1251770
6a Diaphragm spring	3241002
6 Secondary diaphragm (N-V-T)	TKISM025N Neoprene
	TKISM025V Viton
	TKISM025T Low temperature
7 Screws - Washers	TKITVTE10X25X6
8 Cover	1251660
9 Diaphragm spring	3241024
10 Primary Diaphragm (N-V-T)	TKISM065N Neoprene
	TKISM065V Viton
	TKISM065T Low temperature
11 Valve body	1251520
12 O-R gasket	3301209

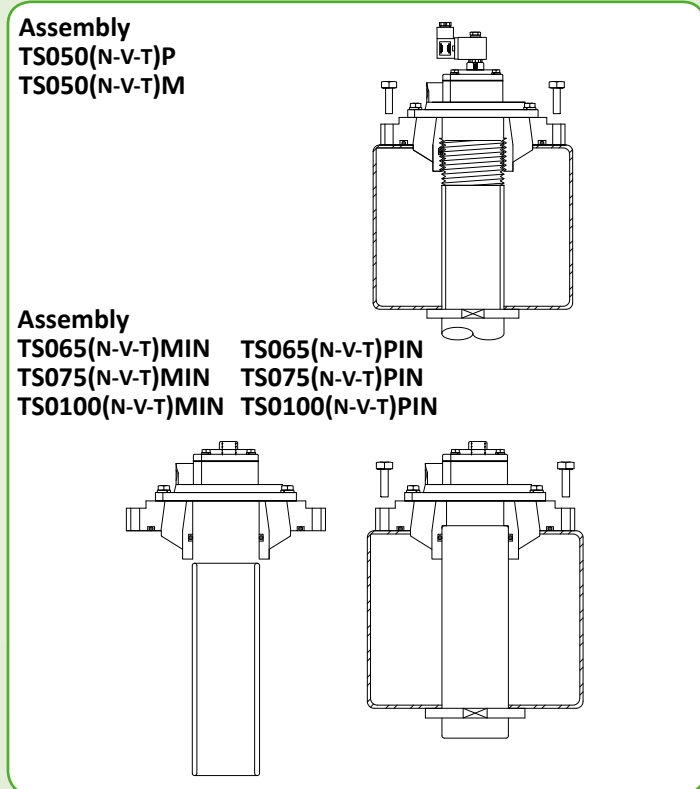
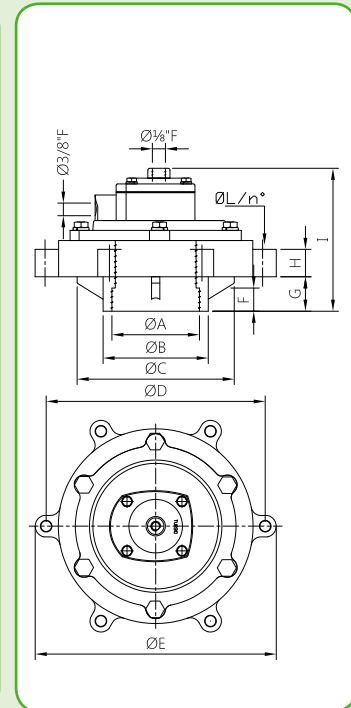
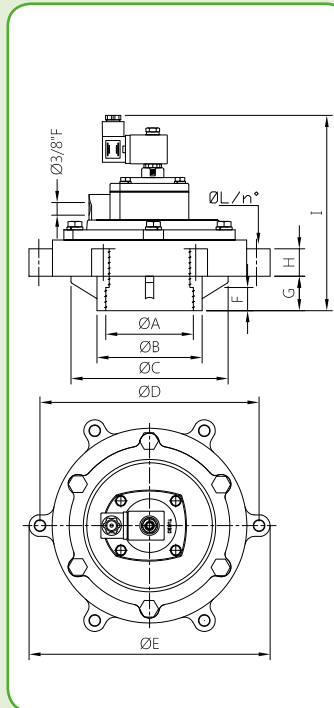
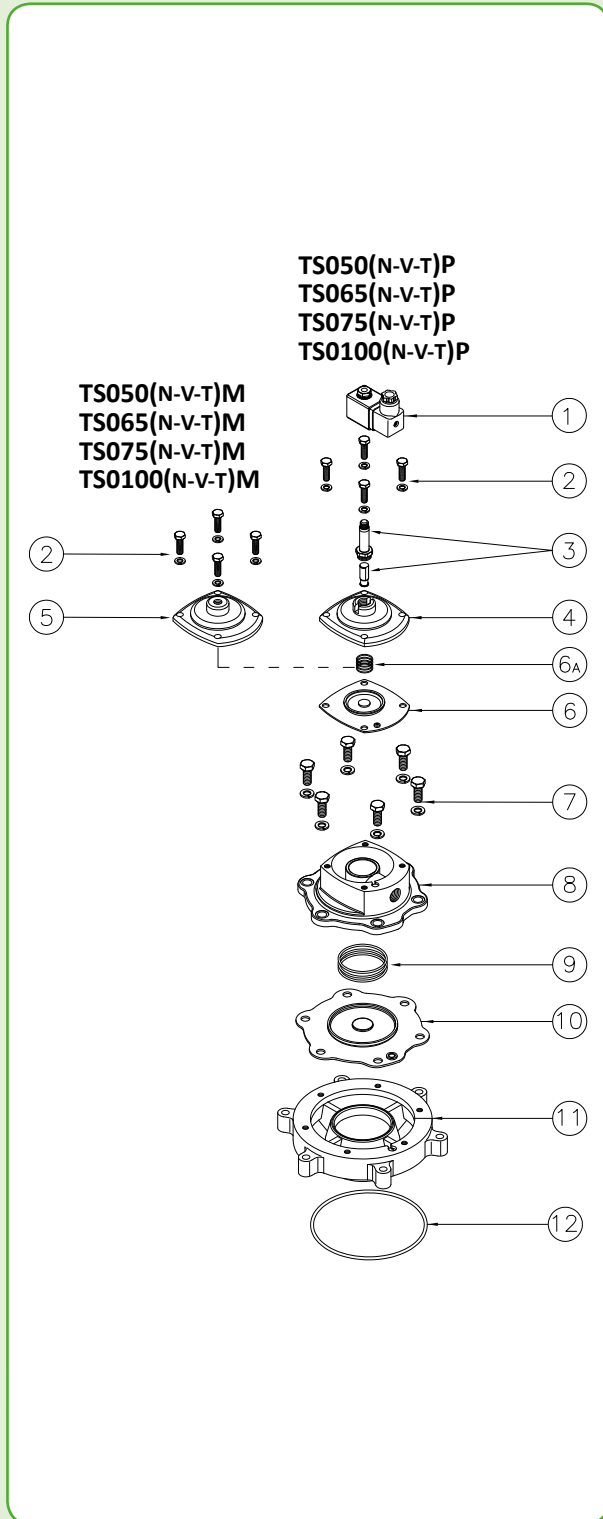
TSP version with built-in pilot / TSM version with remote pilot
V## / V## = 24 Vdc - 24 Vac - 115 Vac - 230 Vac

DESCRIPTION	TS0100(N-V-T)PIN / TS0100(N-V-T)MIN
1 Coil - Connector	BH10 V## / V##
2 Screws - Washers	TKITVTE06X20X4
3 Pilot unit	1331080
4 Pilot cover	1251750
5 Remote cover	1251770
6a Diaphragm spring	3241002
6 Secondary diaphragm (N-V-T)	TKISM025N Neoprene
	TKISM025V Viton
	TKISM025T Low temperature
7 Screws - Washers	TKITVTE10X25X6
8 Cover	1251660
9 Diaphragm spring	3241024
10 Primary Diaphragm (N-V-T)	TKISM0100N Neoprene
	TKISM0100V Viton
	TKISM0100T Low temperature
11 Valve body	1251580
12 O-R gasket	3301209

TSP version with built-in pilot / TSM version with remote pilot

TS SERIE - Ø 2" - 2½" - 3" - 4" - OVERALL DIMENSIONS

DIAPHRAGM VALVES
FOR FLAT SURFACES



MODEL	ØA	ØB	ØC	ØD	ØE	F	G	H	I	L	Weight (kg)
TS050(N-V-T)P	2"	83	126	175	195	39	60	20	211	11	2.4
TS065(N-V-T)PIN	2 ½"	107.5	161	225	247	44	35.5	27	205	11	3.9
TS075(N-V-T)PIN	3"	107.5	161	225	247	50	35.5	27	205	11	3.7
TS0100(N-V-T)PIN	4"	119.5	161	225	247	44	35.5	27	205	11	3.8
TS050(N-V-T)M	2"	83	126	175	195	39	60	20	153	11	2.2
TS065(N-V-T)MIN	2 ½"	107.5	161	225	247	44	35.5	27	147	11	3.7
TS075(N-V-T)MIN	3"	107.5	161	225	247	50	35.5	27	147	11	3.5
TS0100(N-V-T)MIN	4"	119.5	161	225	247	44	35.5	27	148	11	3.6