

STRAIGHT THROUGH DIAPHRAGM VALVES - TL SERIES - Ø 1"



FEATURES

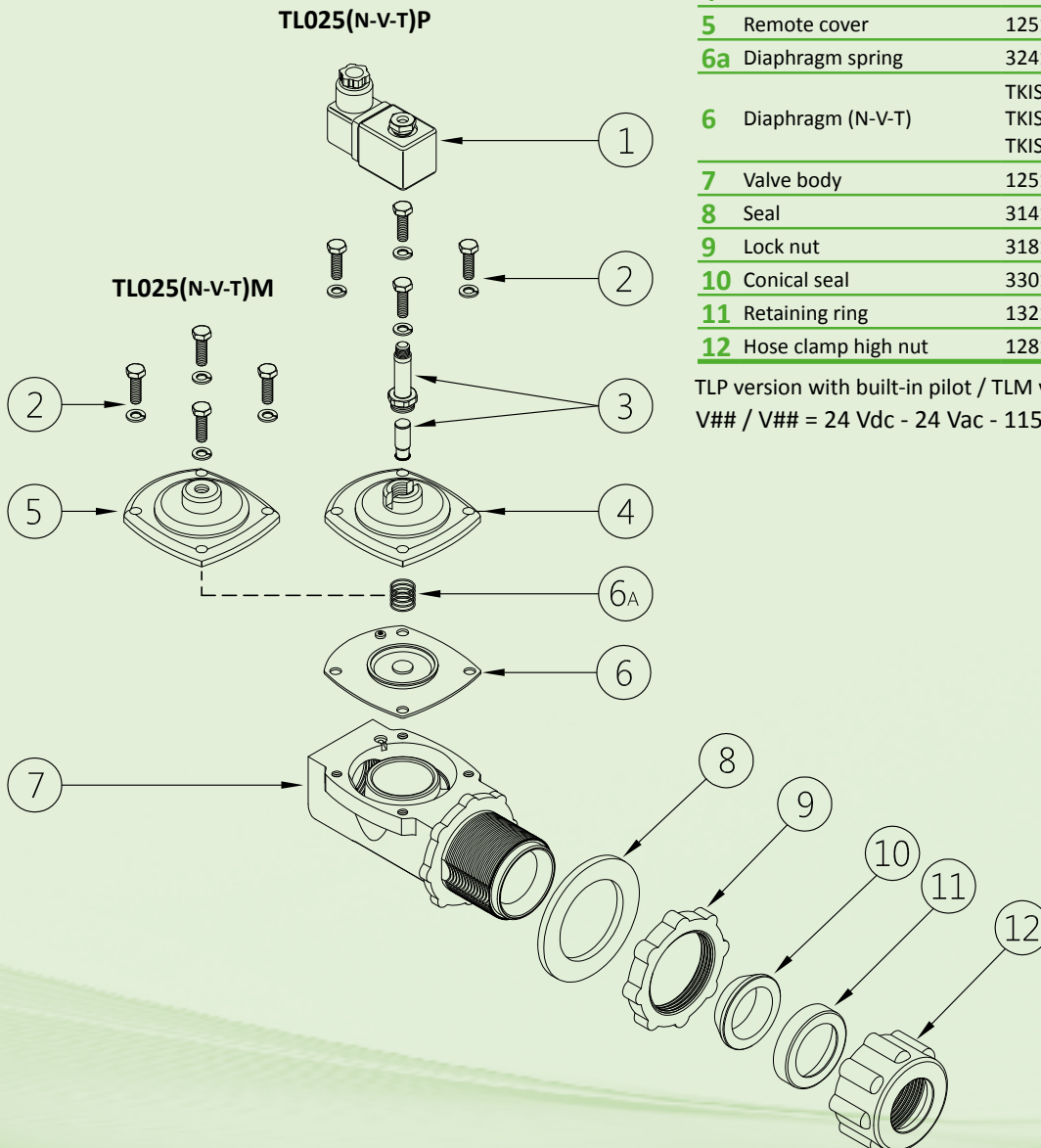
Fluids	Non-lubricated filtered air
Operating temperature	Neoprene diaphragm -20°C +80°C
	Viton diaphragm -20°C +200°C
	Low T. diaphragm -40°C; +80°C
Operating pressure	between 0.5 and 7.5 bar
Body and cover	Die-cast aluminium
Pilot core	Stainless steel
Screws and bolts	Stainless steel
Coil insulation	Class H
Connector	PG 9 EN175301-803
Connector + coil protection	IP65 EN60529
Standard voltage	24V/50-60Hz (±10%) 19VA
	115V/50-60Hz (±10%) 19VA
	230V/50-60Hz (±10%) 19VA
	24VDC (± 10%) 18 Watt

DESCRIPTION

TL025(N-V-T)P / TL025(N-V-T)M

1	Coil - Connector	BH10 V## / V##
2	Screws - Washers	TKITVTE06X20X4
3	Pilot unit	1331080
4	Pilot cover	1251750
5	Remote cover	1251770
6a	Diaphragm spring	3241002
6	Diaphragm (N-V-T)	TKISM025N Neoprene TKISM025V Viton TKISM025T Low temperature
7	Valve body	1251250
8	Seal	3141702
9	Lock nut	3181036
10	Conical seal	3301013
11	Retaining ring	1321010
12	Hose clamp high nut	1281045

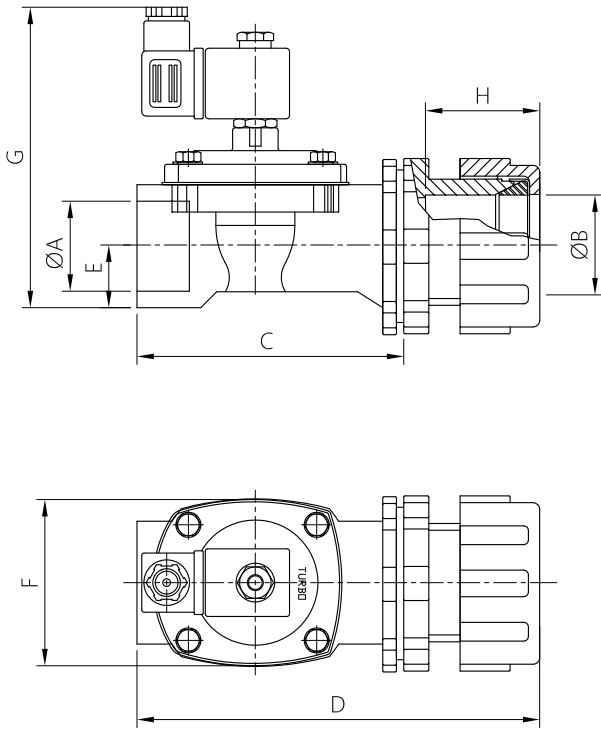
TLP version with built-in pilot / TLM version with remote pilot
 V## / V## = 24 Vdc - 24 Vac - 115 Vac - 230 Vac



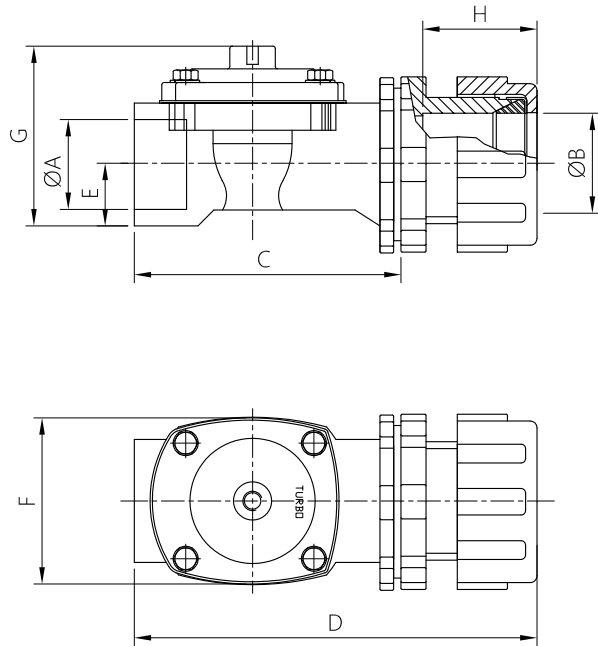
TL SERIES - Ø 1" - OVERALL DIMENSIONS

TLP/TLM OUTLET WITH QUICK CONNECTION

TL025(N-V-T)P



TL025(N-V-T)M



MODEL	Ø A	Ø B	Ø C	Ø D	Ø E	F	G	M	Weight (kg)
TL025(N-V-T)P	1 ¼"	1"	114	176	27	74	132	49.5	1.2
TL025(N-V-T)M	1 ¼"	1"	114	176	27	79	74	49.5	1