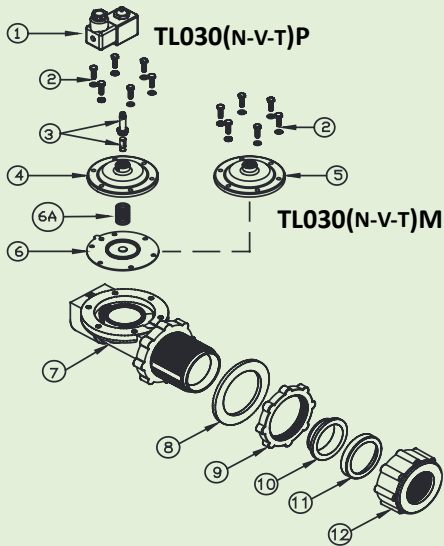


# STRAIGHT THROUGH DIAPHRAGM VALVES - TL SERIES - Ø 1½"



### FEATURES

Fluids	Non-lubricated filtered air
Operating temperature	Neoprene diaphragm -20°C +80°C
	Viton diaphragm -20°C +200°C
	Low T. diaphragm -40°C; +80°C
Operating pressure	between 0.5 and 7.5 bar
Body and cover	Die-cast aluminium
Pilot core	Stainless steel
Screws and bolts	Stainless steel
Coil insulation	Class H
Connector	PG 9 EN175301-803
Connector + coil protection	IP65 EN60529
Standard voltage	24V/50-60Hz (±10%) 19VA
	115V/50-60Hz (±10%) 19VA
	230V/50-60Hz (±10%) 19VA
	24VDC (± 10%) 18 Watt



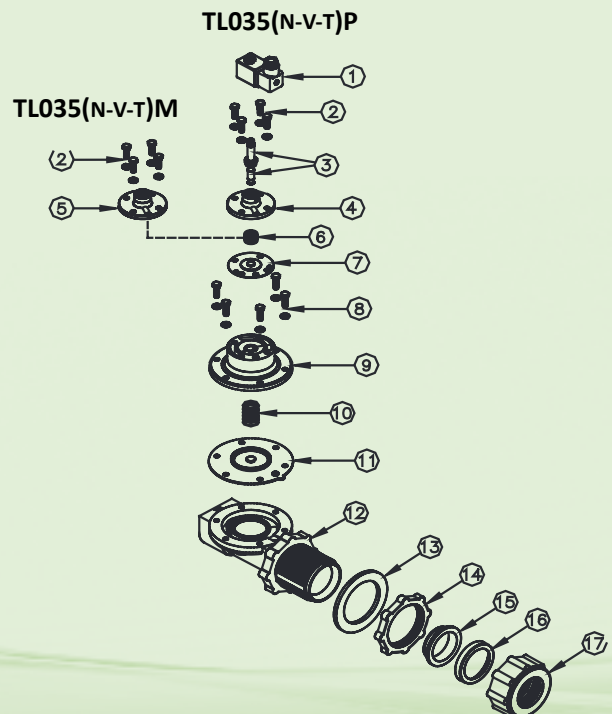
DESCRIPTION	TL035(N-V-T)PWE / TL035(N-V-T)MWE
1 Coil - Connector	BH10 V## / V##
2 Screws - Washers	TKITVTE06X20X4
3 Pilot unit	1331080
4 Pilot cover	1251720
5 Remote cover	1251740
6 Diaphragm spring	3241006
7 Secondary diaphragm (N-V-T)	TKISM010N Neoprene TKISM010V Viton TKISM010T Low temperature
8 Screws - Washers	TKITVTE06X20X6
9 Cover	1251810
10 Diaphragm spring	3241018
11 Primary Diaphragm (N-V-T)	TKISM035N Neoprene TKISM035V Viton TKISM035T Low temperature
12 Valve body	1251330
13 Seal	3141706
14 Lock nut	3181032
15 Conical seal	3301017
16 Retaining ring	1321012
17 Hose clamp high nut	1281050

TLP version with built-in pilot / TLM version with remote pilot  
V## / V## = 24 Vdc - 24 Vac - 115 Vac - 230 Vac

### DESCRIPTION

DESCRIPTION	TL030(N-V-T)P / TL030(N-V-T)M
1 Coil - Connector	BH10 V## / V##
2 Screws - Washers	TKITVTE06X20X6
3 Pilot unit	1331080
4 Pilot cover	1251802
5 Remote cover	1251805
6a Diaphragm spring	3241018
6 Diaphragm (N-V-T)	TKISM030N Neoprene TKISM030V Viton TKISM030T Low temperature
7 Valve body	1251330
8 Seal	3141706
9 Lock nut	3181032
10 Conical seal	3301017
11 Retaining ring	1321012
12 Hose clamp high nut	1281050

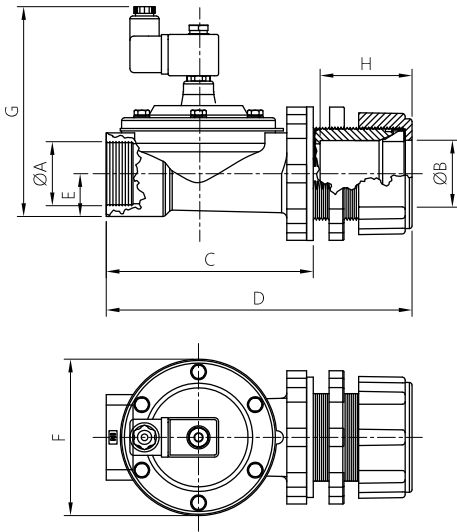
TLP version with built-in pilot / TLM version with remote pilot  
V## / V## = 24 Vdc - 24 Vac - 115 Vac - 230 Vac



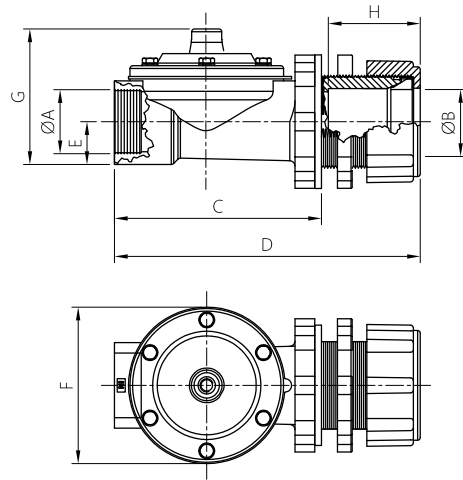
# TL SERIES - Ø 1½" - OVERALL DIMENSIONS

DIAPHRAGM VALVES  
STRAIGHT THROUGH

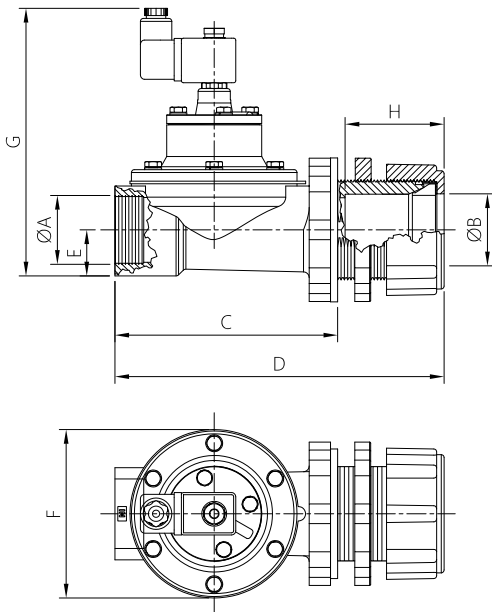
TL030(N-V-T)P



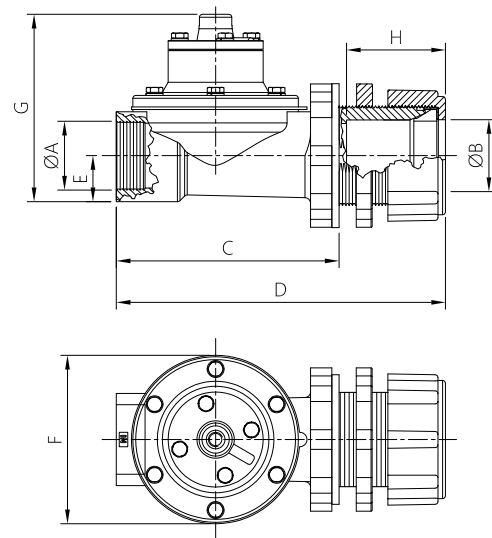
TL030(N-V-T)M



TL035(N-V-T)P



TL035(N-V-T)M



MODEL	ØA	ØB	C	D	E	F	G	H	Weight (kg)
TL030(N-V-T)P	2"	1 ½"	153	228	36	115	148	67.5	2.1
TL030(N-V-T)M	2"	1 ½"	153	228	36	115	93	67.5	1.9
TL035(N-V-T)P	2"	1 ½"	153	228	36	115	186	67.5	2.3
TL035(N-V-T)M	2"	1 ½"	153	228	36	115	131	67.5	2.1