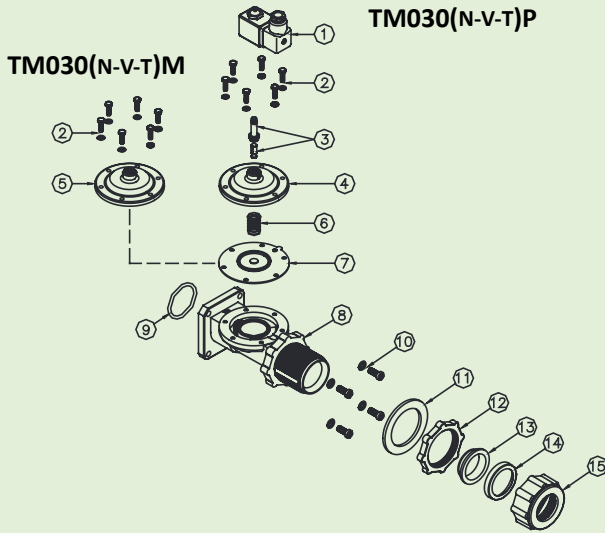


FLANGED STRAIGHT THROUGH DIAPHRAGM VALVES - TM SERIES - Ø 1½"



FEATURES

Fluids	Non-lubricated filtered air
Operating temperature	Neoprene diaphragm -20°C +80°C
	Viton diaphragm -20°C +200°C
	Low T. diaphragm -40°C; +80°C
Operating pressure	between 0.5 and 7.5 bar
Body and cover	Die-cast aluminium
Pilot core	Stainless steel
Screws and bolts	Stainless steel
Coil insulation	Class H
Connector	PG 9 EN175301-803
Connector + coil protection	IP65 EN60529
Standard voltage	24V/50-60Hz (±10%) 19VA
	115V/50-60Hz (±10%) 19VA
	230V/50-60Hz (±10%) 19VA
	24VDC (± 10%) 18 Watt

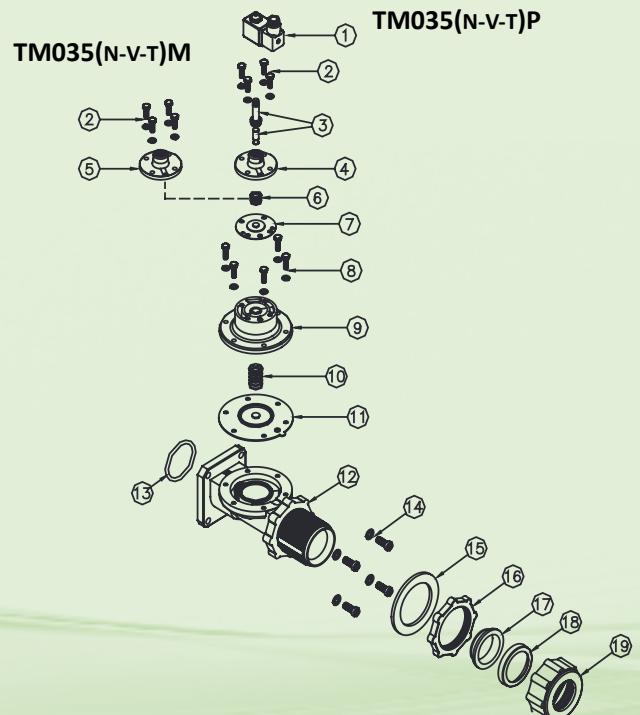


DESCRIPTION	TM035(N-V-T)P / TM035(N-V-T)M
1 Coil - Connector	BH10 V## / V##
2 Screws - Washers	TKITVTE06X20X4
3 Pilot unit	1331080
4 Pilot cover	1251720
5 Remote cover	1251740
6 Diaphragm spring	3241006
7 Secondary diaphragm (N-V-T)	TKISM010N Neoprene TKISM010V Viton TKISM010T Low temperature
8 Screws - Washers	TKITVTE06X20X6
9 Cover	1251810
10 Diaphragm spring	3241018
11 Primary Diaphragm (N-V-T)	TKISM035N Neoprene TKISM035V Viton TKISM035T Low temperature
12 Valve body	1251320
13 O-R gasket	3301281
14 Screws - Washers	TKITVTE10X25X4
15 Seal	3141706
16 Lock nut	3181032
17 Conical seal	3301017
18 Retaining ring	1321012
19 Hose clamp high nut	1281050

DESCRIPTION

DESCRIPTION	TM030(N-V-T)P / TM030(N-V-T)M
1 Coil - Connector	BH10 V## / V##
2 Screws - Washers	TKITVTE06X20X6
3 Pilot unit	1331080
4 Pilot cover	1251802
5 Remote cover	1251805
6 Diaphragm spring	3241018
7 Diaphragm (N-V-T)	TKISM030N Neoprene TKISM030V Viton TKISM030T Low temperature
8 Valve body	1251320
9 O-R gasket	3301281
10 Screws - Washers	TKITVTE10X25X4
11 Seal	3141706
12 Lock nut	3181032
13 Conical seal	3301017
14 Retaining ring	1321012
15 Hose clamp high nut	1281050

V## / V## = 24 Vdc - 24 Vac - 115 Vac - 230 Vac

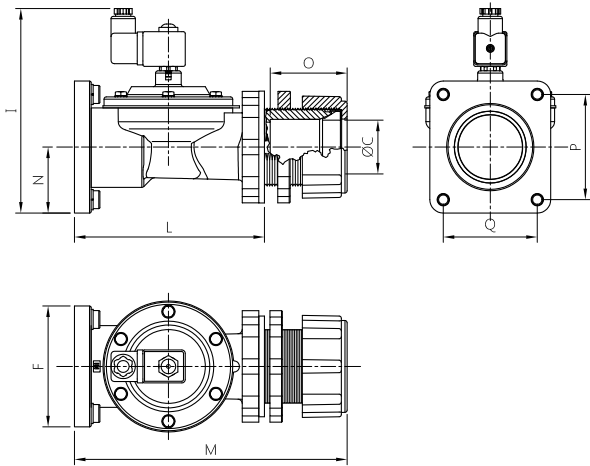


V## / V## = 24 Vdc - 24 Vac - 115 Vac - 230 Vac

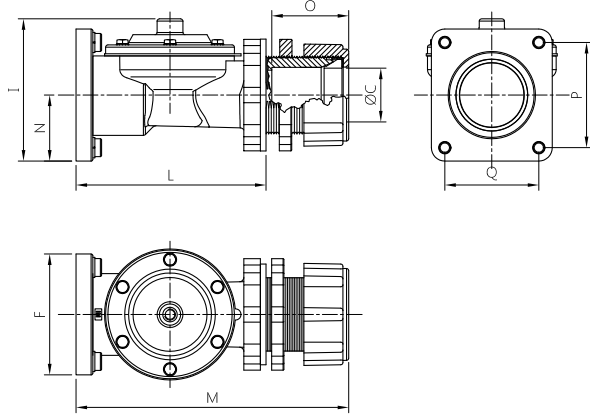


TM SERIES - Ø 1½" - OVERALL DIMENSIONS

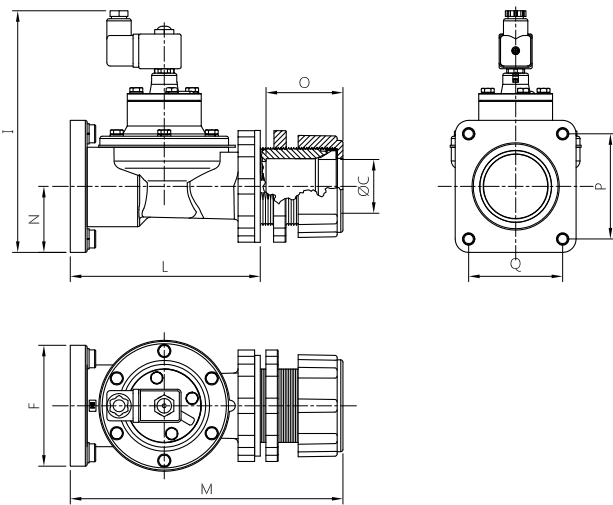
TM030(N-V-T)P



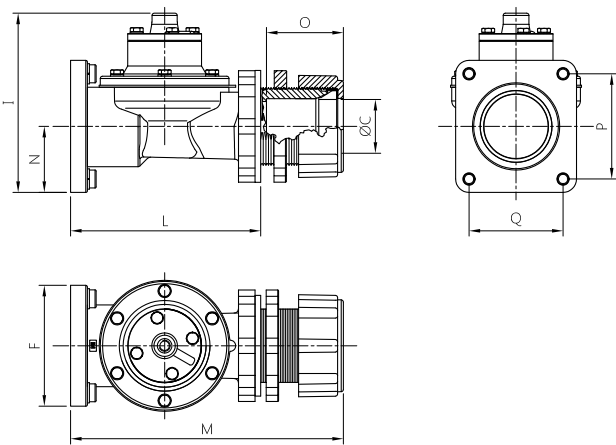
TM030(N-V-T)M



TM035(N-V-T)P



TM035(N-V-T)M



MODEL	ØA	L	M	N	F	I	O	P	Q
TM030(N-V-T)P	1 ½"	168	244	60	108	183	67	94	84
TM030(N-V-T)M	1 ½"	168	244	60	108	127	67	94	84
TM035(N-V-T)P	1 ½"	168	244	60	108	216	67	94	84
TM035(N-V-T)M	1 ½"	168	244	60	108	160	67	94	84